

ED3541 Series

Hardened 10/100BASE-TX Ethernet Extender



Overview

The ED3541 Ethernet extender allows the extension of IP services beyond normal Ethernet distance limitations without changing cables, breaking the 100-meter Ethernet barrier.

The ED3541's hardened design features high shock and vibration, electrical noise immunity, a wide operating temperature range from -40°C to 75°C, and ruggedized aluminum housing. The ED3541 is the ideal Ethernet extender for environments where connectivity is crucial.

Spotlight

• UL60950 Certification

- Certified by UL60950-1 standard, providing protections to installers from risk of injury or damage

• High Speed Performance

- Up to 100Mbps at 300 meters distance
- Up to 20Mbps at 1200 meters distance
- Up to 1Mbps at 2600 meters distance

• Wide Operating Temperature

- -40°C to 75°C wide operating temperature range design is suitable for installation in outdoor cabinets

Hardware Specifications

Technology

Standards

- IEEE802.3 10BASE-T
- IEEE802.3u 100BASE-TX
- IEEE802.3x full duplex and flow control

Processing Type

- Half-duplex back-pressure and IEEE802.3x Full-duplex flow control
- Auto Negotiation
- Auto MDI/MDIX

Power

Input Voltage

- 12 to 48VDC (Terminal Block)

Power Consumption

- 4.56W max. 0.38A @ 12VDC
0.07A @ 48VDC

Protection

- Over current protection
- Reverse polarity protection

Mechanical

Casing

- Aluminum case
- IP30

Dimensions

- 42mm (W) x 90mm (D) x 100mm (H)
(1.65" (W) x 3.54" (D) x 3.94" (H))

Weight

- 0.41 Kg (0.9 lbs.)

Installation

- DIN-Rail (Top hat type 35mm) mounting

Interface

Ethernet Port

- Port: One RJ-45 port
- Speed: 10/100Mbps
- Distance: 100 meters (328ft.)
- Cable: 10BASE-T: UTP CAT. 3, 4, 5 (2-pair wire)
100BASE-TX: UTP CAT. 5 (4-pair wire)

Ethernet Extender Port

- Port: One RJ-11/Terminal Block port
- Speed: Up to 100Mbps
- Distance: 2600 meters (8,530 ft.)
- Cable: Telephone wire 24 AWG
(0.5mm diameter, 1-pair wire) or larger

DIP-Switch

- DIP 1: LDR ON/OFF
- DIP 2: Perf./Std. mode

LED Indicators

- Per Unit: Power 1, 2
- Per 10/100TX Port: Link/Activity, Full-duplex
- Line Speed: 100/80/60/40/20Mbps and Link below 20Mbps

Speed / Distance Reference

Distance (m)	Data rate (Mbps)
300	100
400	80
600	60
800	40
1200	20
2600	1

Note:

- All speed selections are Symmetrical on the DSL and Full-duplex on the Ethernet
- The data rate will vary according to line quality

Environment

Operating Temperature

- -40°C to 75°C (-40°F to 167°F)
Tested @ -40°C to 85°C (-40°F to 185°F)

Storage Temperature

- -40°C to 85°C (-40°F to 185°F)

Ambient Relative Humidity

- 5% to 95% (non-condensing)

Regulatory Approvals

ISO

- Manufactured in an ISO9001 facility

Safety

UL60950-1, EN60950-1, IEC60950-1

EMI

FCC Part 15B, Class A

VCCI, Class A

EN61000-6-4

EMS

EN61000-6-2

- EN61000-4-2 (ESD Standards)
- EN61000-4-3 (Radiated RFI Standards)
- EN61000-4-4 (Burst Standards)
- EN61000-4-5 (Surge Standards)
- EN61000-4-6 (Induced RFI Standards)
- EN61000-4-8 (Magnetic Field Standards)

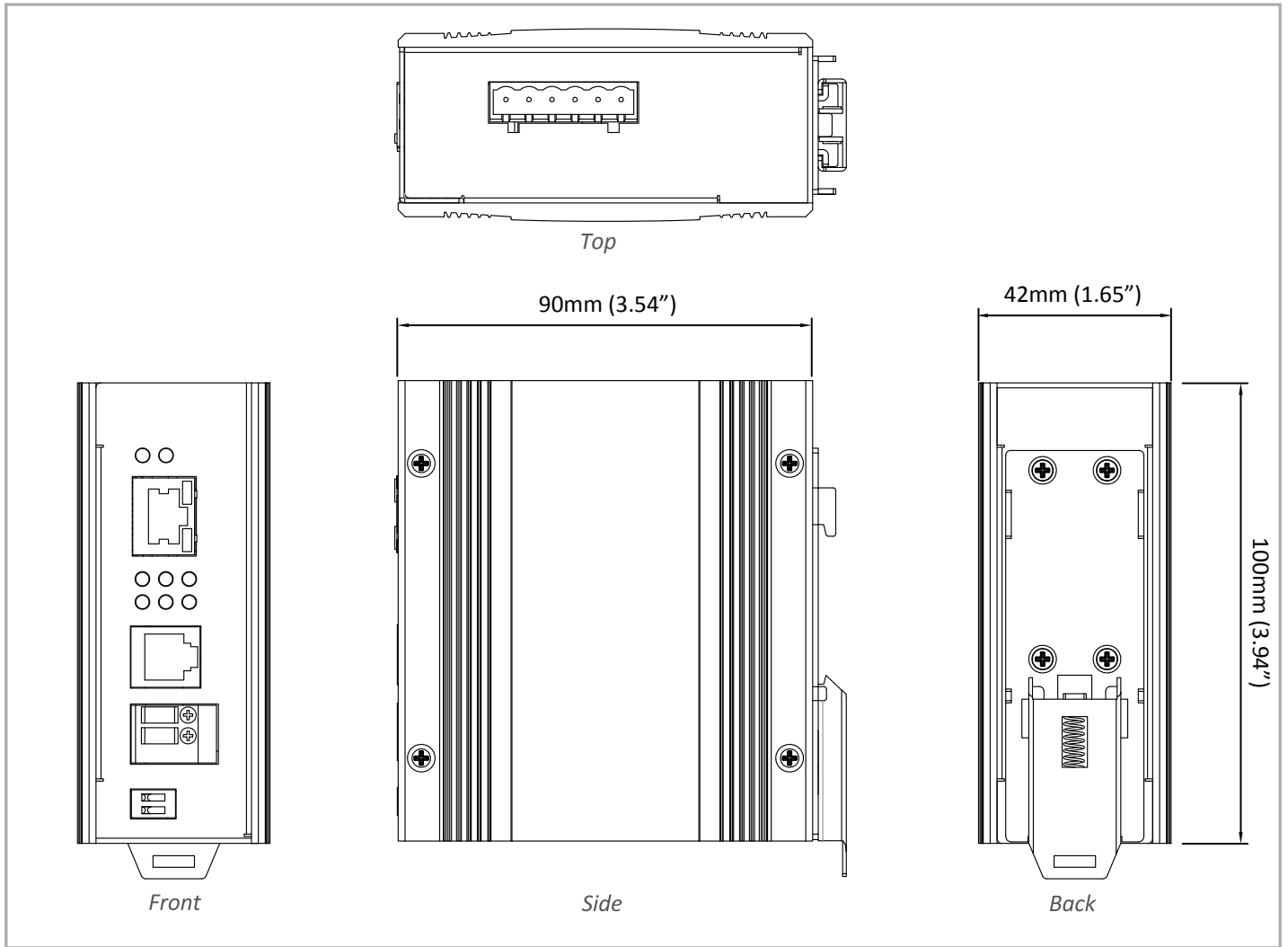
Environmental Test Compliance

IEC60068-2-6 Fc (Vibration Resistance)

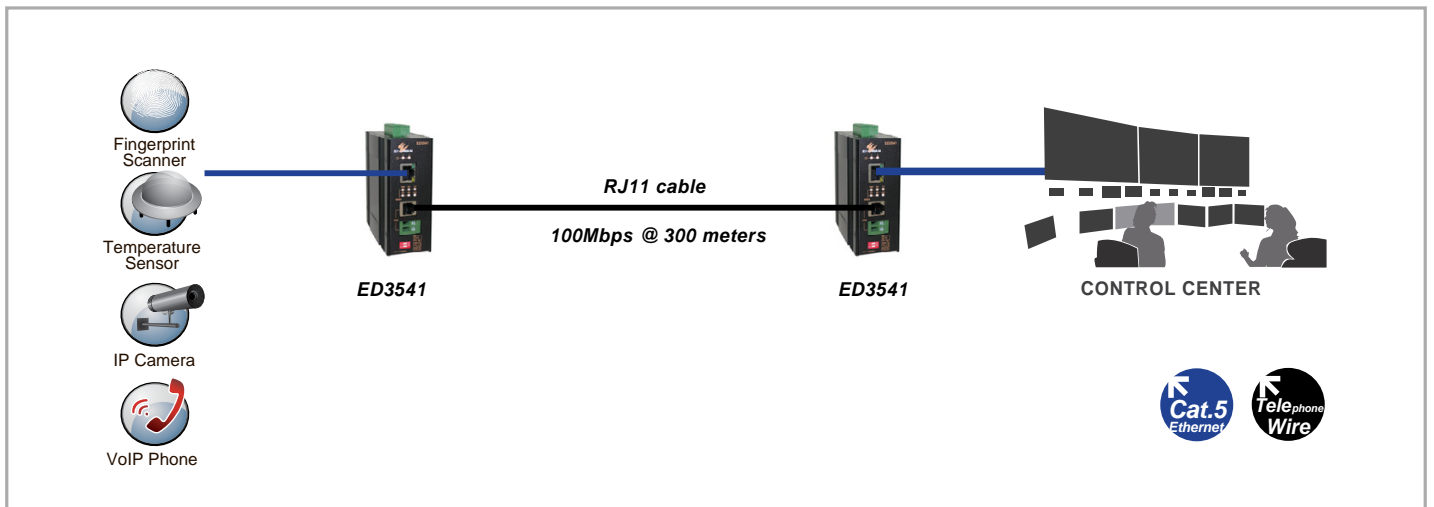
IEC60068-2-27 Ea (Shock)

FED STD 101C Method 5007.1 (Free fall w/ package)

Dimensions



Application Diagram



Ordering Information

Model

ED3541-00B	Hardened 10/100BASE-TX Ethernet Extender
-------------------	--

* DIN-Rail mounting kit included

Optional Accessories

DR-30-24	30W/1.5A DIN-Rail 24VDC Industrial Power Supply (for Terminal Block)
MDR-40-48	40W/0.83A 48VDC Industrial Power Supply (for Terminal Block)



〒103-0014 東京都中央区日本橋蛸殻町1-16-11
TEL : 03-3668-8089 FAX : 03-3668-9872
URL : www.cybernetech.co.jp